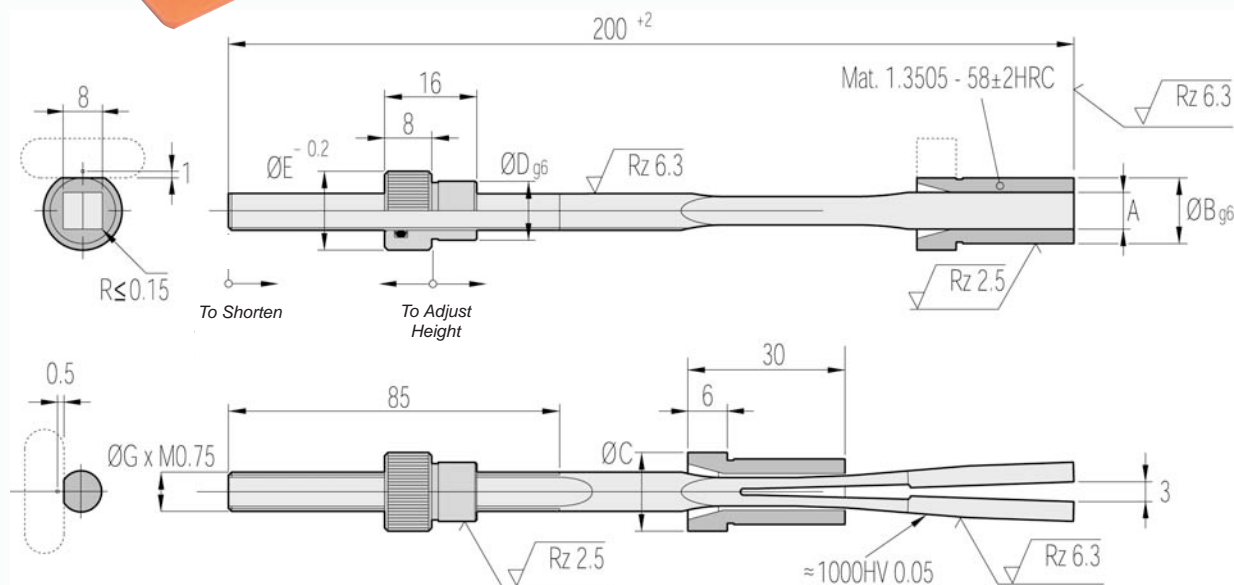


Double Ejector

The Space Saver!

Patented Cumsa System

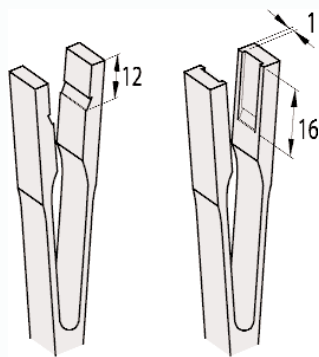


Mat. 1.2101- Hardened 58 ± 2 HRC
Friction Area: Balinit C® System.

- Useful to release small undercuts, this ejector is pre-adjusted and height adjustable. Easy to install, machining is 90° to parting line. The Balinit C® coating offers smooth action

CATALOG NUMBER	A	B	C	D	E	G	H
ED 068200	6	12	14	10	14	6	10
ED 088200	8	14	16	12	16	8	12
ED 108200	10	16	18	14	18	8	14
ED 128200	12	16	18	16	20	8	15

Special Lengths of 275 and 350mm upon request.



Maximum working area.

